



50Z3

Tracked Zero Tail Excavators



50Z3 – Watches your back for you.

The Wacker Neuson Zero Tails feel at home where other machines get into a tight spot. The compact zero tails inspire with their power, agility and superior comfort, thanks to their side-mounted engine and tail-end tanks.

- No tail swing and compact dimensions with laterally positioned engine and the valve control block, fuel tank and hydraulics oil tank in the rear.
- Spacious driver's cab with large door: Everything is designed for optimum practical advantage and working conditions.
- Comprehensive standard equipment and various individual options for additional facilities.
- Generously dimensioned service access.
- Optional Vertical Digging System (VDS): It enables progressive tilting of the superstructure by up to 15° to compensate for slopes up to 27%.



Technical specifications

Operating data

Shipping weight min.	4,905 kg
Operating weight min.	5,280 kg
Biting force max.	27.71 kN
Breakaway force max.	38.1 kN
Digging depth	3,500 mm
Dumping height max.	3,680 mm
Digging radius	5,985 mm
Superstructure slewing speed	8.7 1/min
L x W x H	5,500 x 1,990 x 2,570 mm

Engine / Motor

Engine / Motor manufacturer	Yanmar
Engine / Motor type	4TNV88
Engine / Motor	Water-cooled 4-cylinder diesel engine EPA III
Displacement	2,189 cm ³
RPM / speed	2,400 rpm
Engine performance acc. to ISO	28.1 kW
Battery	88 Ah
Tank capacity	83 l

Hydraulic system

Duty pump	Double variable- & two-gear pump
Flow rate	167.1 l/min
Operating pressure for working and traction hydraulics	240 bar
Operating pressure Slewing gear	215 bar
Hydraulic oil tank	80 l

Wheel set

Travel speed max.	4.6 km/h
Gradeability	58 %
Chain width	400 mm



Ground clearance	305 mm
------------------	--------

Dozer Blade

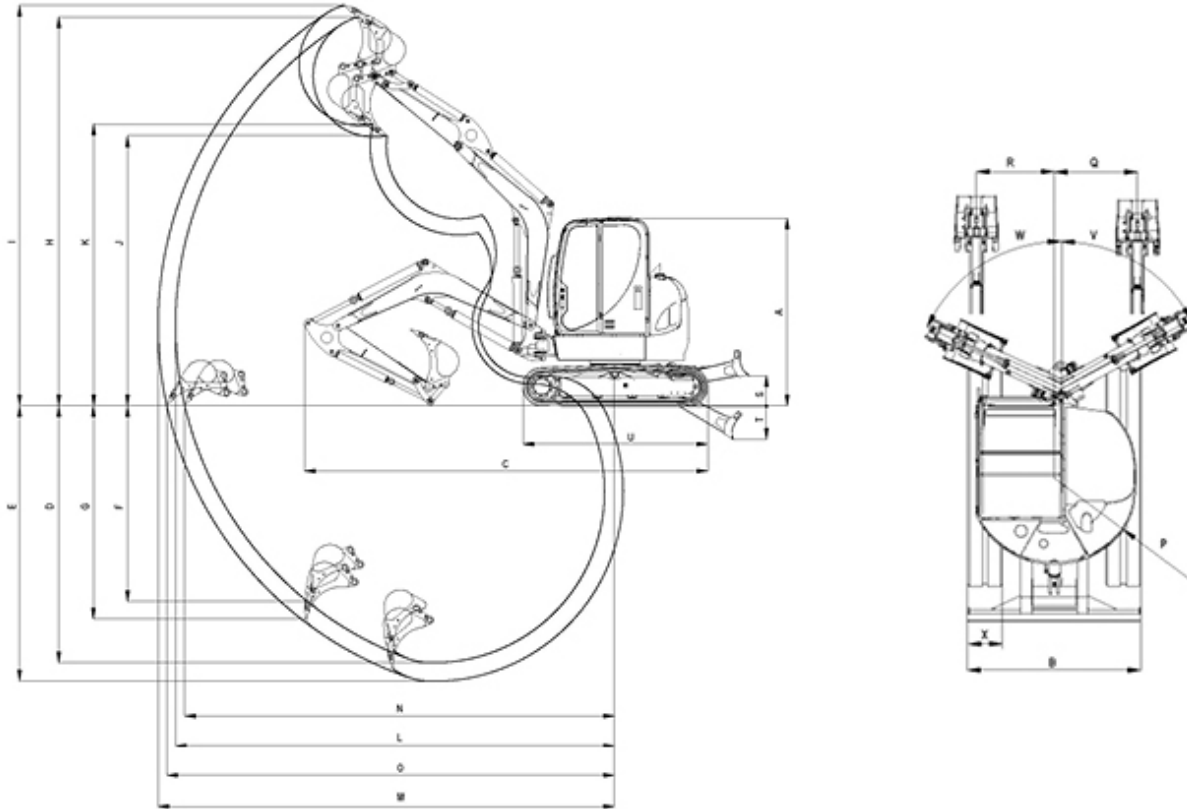
Width	1,990 mm
Height	380 mm
Stroke Above ground	415 mm
Stroke Below ground	455 mm

Sound level

Sound level (LwA) acc. to 2000/14/EC	96 dB(A)
Cabin - specified sound pressure level LpA acc. to ISO 6394	77 dB(A)



Dimensions



D	Digging depth Max. (short dipperstick) mm	3,500
E	Digging depth Max. (long dipperstick) mm	3,750
F	Insertion depth Max. vertical (short dipperstick) mm	2,670
G	Insertion depth Max. vertical (long dipperstick) mm	2,885
H	Insertion height Max. (short dipperstick) mm	5,300
I	Insertion height Max. (long dipperstick) mm	5,460
J	Dumping height Max. (short dipperstick) mm	3,680
K	Dumping height Max. (long dipperstick) mm	3,840
L	Digging radius Max. (short dipperstick) mm	5,985
M	Digging radius Max. (long dipperstick) mm	6,225
N	Range on the ground (short dipperstick) mm	5,860
O	Range on the ground (long dipperstick) mm	6,105
P	Rear swivel radius Min. mm	995



Q	Arm displacement Max. to middle of bucket right side mm	960
R	Arm displacement Max. to middle of bucket left side mm	895
S	Lift height Max. levelling blade above formation mm	415
T	Scraping depth Max. of levelling blade below formation mm	455
U	Length of running gear mm	2,500
V	Turning angle Max. arm system to the right °	61
W	Turning angle Max. arm system to the left °	65
X	Width mm	400

Please note

that product availability can vary from country to country. It is possible that information / products may not be available in your country. More detailed information on engine power can be found in the operator's manual; the stated power may vary due to specific operating conditions.

Subject to alterations and errors excepted. Applicable also to illustrations.

Copyright © 2016 Wacker Neuson SE.