



EZ17

Tracked Zero Tail Excavators



Compactness in top form: EZ17

The EZ17 compact excavator is the best performance Zero Tail model in its class. The large volume diesel engine combined with LUDV (Load Sensing System) and the new cooling system promise high performance and efficiency. The compact and robust design ensures longer operating life. The EZ17 guarantees the perfect full 360-vision - upward as well as downward - and offers an extremely large field of vision.

- Best performance Zero Tail model in its class with a large volume diesel engine and LUDV (Load Sensing System).
- Zero tail swing for working in tight and confined spaces.
- New cooling system promise high performance also in high surrounding temperatures of up to 45 °C.
- Compact, robust design ensures longer operating life.
- Extremely large field of vision through top window.



Technical specifications

Operating data

Shipping weight min.	1,595 kg
Operating weight min.	1,725 kg
Biting force max.	8.39 kN
Breakaway force max.	18.8 kN
Digging depth	2,330 mm
Dumping height max.	2,440 mm
Digging radius	3,900 mm
Superstructure slewing speed	9.4 1/min
L x W x H	3,585 x 990 x 2,360 mm

Engine / Motor

Engine / Motor manufacturer	Yanmar
Engine / Motor type	3TNV76
Engine / Motor	Water-cooled 3-cylinder diesel engine
Displacement	1,116 cm ³
RPM / speed	2,200 rpm
Engine performance output to ISO	13.4 kW
Battery	30 Ah
Tank capacity	22 l

Hydraulic system

Flow rate	39.6 l/min
Operating pressure for working and traction hydraulics	240 bar
Operating pressure Slewing gear	150 bar
Hydraulic oil tank	21 l

Wheel set

Travel speed max.	4.8 km/h
Chain width	230 mm
Ground clearance	160 mm



Dozer Blade

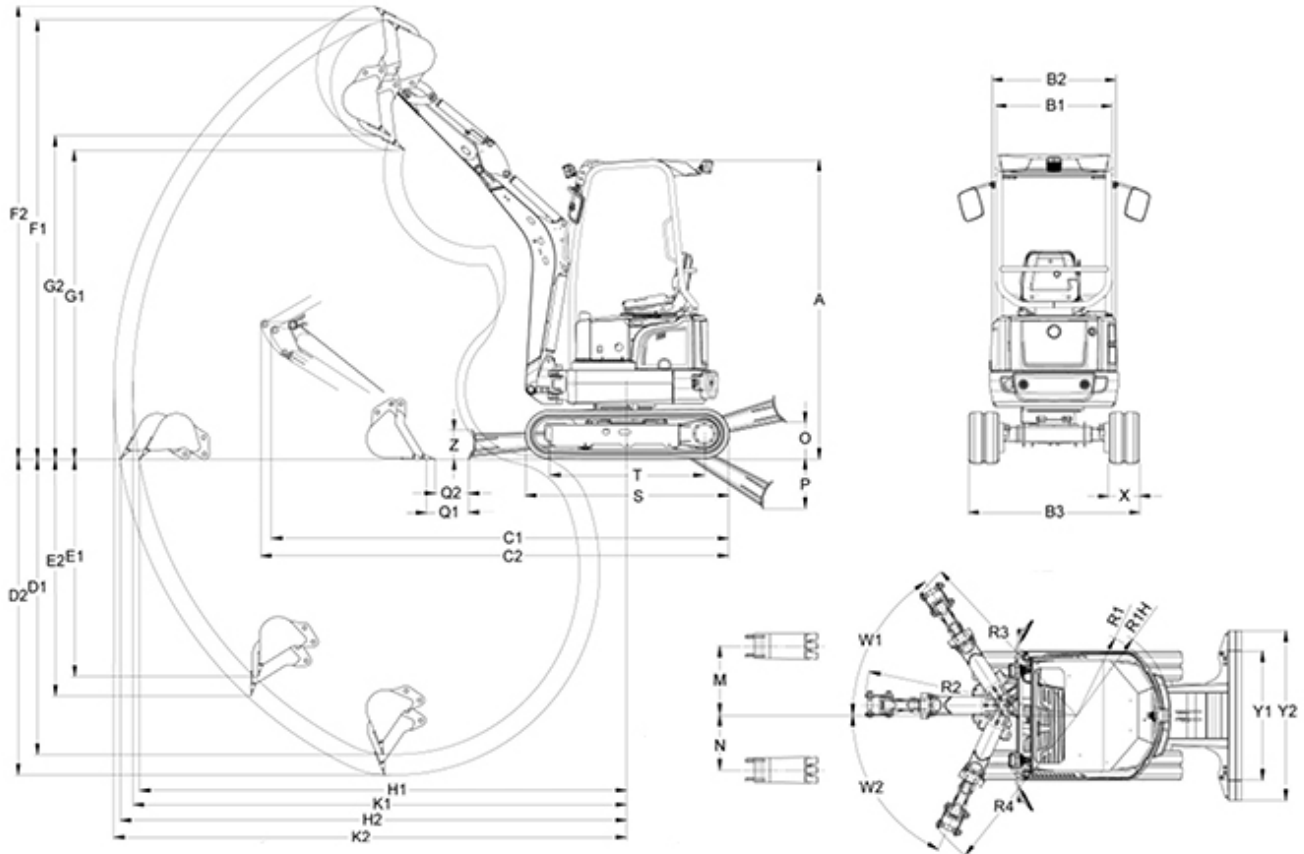
Width	1,300 mm
Height	230 mm

Sound level

Sound level (LwA) acc. to 2000/14/EC	93 dB(A)
Cabin - specified sound pressure level LpA acc. to ISO 6394	79 dB(A)



Dimensions



B1	Width of canopy mm	885
B2	Width of revolving superstructure mm	990
B3	Width Undercarriage width, retracted mm	1,300
C1	Transport length (short dipper arm) mm	3,585
C2	Transport length (long dipper arm) mm	3,550
D1	Digging depth Max. (short dipper arm) mm	2,330
D2	Digging depth Max. (long dipper arm) mm	2,490
E1	Insertion depth Max. vertical (short dipper arm) mm	1,715
E2	Insertion depth Max. vertical (long dipper arm) mm	1,865
F1	Insertion height Max. (short dipper arm) mm	3,465
F2	Insertion height Max. (long dipper arm) mm	3,580
G1	Dumping height Max. (short dipper arm) mm	2,440
G2	Dumping height Max. (long dipper arm) mm	2,550



K1	Digging radius Max. (short dipper arm) mm	3,900
K2	Digging radius Max. (long dipper arm) mm	4,050
H1	Range Max. span on the ground (short dipper arm) mm	3,850
H2	Range Max. span on the ground (long dipper arm) mm	4,000
R1	Rear swivel radius Min. mm	650
M	Arm displacement Max. boom offset to centre of bucket, right side mm	535
N	Arm displacement Max. boom offset to centre of bucket, left side mm	425
O	Lift height Max. dozer blade above ground mm	271
P	Scraping depth Max. dozer blade below ground mm	390
S	Length Total crawler mm	1,605
W1	Turning angle Max. right °	57
W2	Turning angle Max. left °	65
Y1	Width dozer blade mm	990
Q1	Distance bucket and depth dozer blade (short dipper arm) mm	332
Q2	Distance bucket and depth dozer blade (long dipper arm) mm	260
R2	Boom slewing radius center mm	1,625
R3	Boom slewing radius right mm	1,515
R4	Boom slewing radius left mm	1,370
T	Length Crawler, center to Turas guide wheel mm	1,225
Y2	Width Dozer blade width with expansion mm	1,300
Z	Height Dozer blade mm	230

Please note

that product availability can vary from country to country. It is possible that information / products may not be available in your country. More detailed information on engine power can be found in the operator's manual; the stated power may vary due to specific operating conditions.

Subject to alterations and errors excepted. Applicable also to illustrations.

Copyright © 2016 Wacker Neuson SE.