

Technical sheet :

# **200 ATJ**

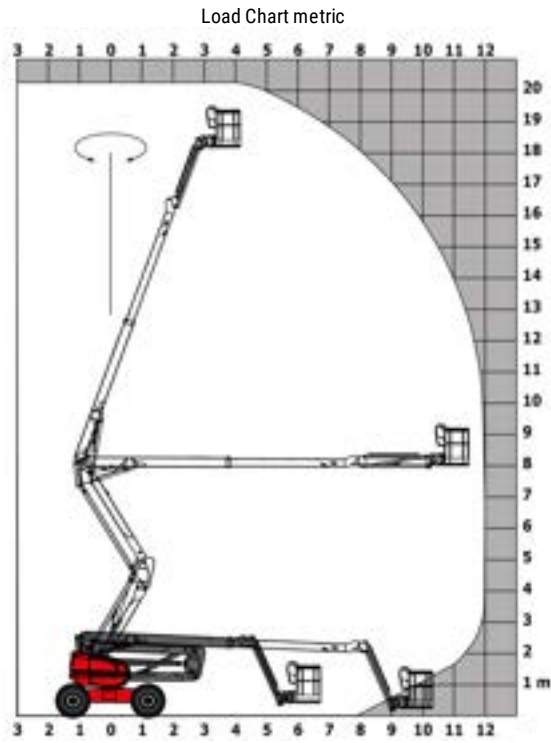
---



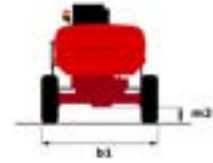
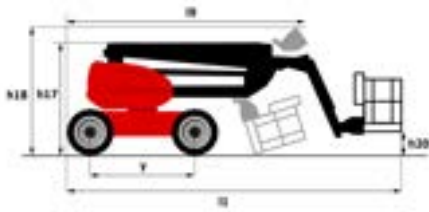
Capacities		Metric
Working height	h21	20.35 m
Platform height	h7	18.35 m
Max. outreach	r1	12 m
Overhang	h31	8 m
Pendular arm rotation (top / bottom)		+69 ° / -66 °
Platform capacity	Q	230 kg
Turret rotation		355 °
Platform rotation (right / left)		90 ° / 90 °
Number of people (inside / outside)		2 / 2
Weight and dimensions		
Platform weight*		10050 kg
Platform dimensions (length x width)	lp / ep	2.1 m x 0.8 m
Overall width	b1	2.47 m
Overall length	l1	8.43 m
Overall height	h17	2.7 m
Overall length (stowed)	l9	6.24 m
Overall height (stowed)	h18	2.99 m
Floor height (access)	h20	500 mm
Counterweight offset (turret at 90°)	a7	0.11 m
Internal turning radius (over tyres)	b13	1.26 m
External turning radius	Wa3	3.9 m
Ground clearance at centre of wheelbase	m2	0.44 m
Wheelbase	y	2.4 m
Performances		
Drive speed - stowed		4.7 km/h
Drive speed - raised		0.8 km/h
Gradeability		40 %
Permissible leveling		5 °
Wheels		
Tyres type		Cured on foam filled tires
Dimensions of front wheels / rear wheels		1025 x 365 mm - 1025 x 365 mm
Drive wheels (front / rear)		2 / 2
Steering wheels (front / rear)		2 / 2
Braking wheels (front / rear)		0 / 2
Engine/Battery		
Engine brand / model		Yanmar - 3TNV88C
I.C. Engine power rating / Power (kW)		34 Hp / 25.5 kW
Miscellaneous		
Ground Pressure		20.65 daN/cm²
Hydraulic Pressure		335 Bar
Hydraulic tank capacity		80 l
Fuel tank		78 l
Standards compliance		
This machine is in compliance with:		European directives: 2006/42/EC- Machinery (revised EN280:2013) - 2004/108/EC (EMC) - 2006/95/EC (Low voltage)

\*Varies according to options and standards of the country to which the machine is delivered

# Load chart



# Dimensional drawing



# Equipment

## Standard

230V Predisposition  
4 simultaneous movements  
4 wheel drive  
4 wheel steer with crab mode  
Audible alarm and illuminated indicator lamp (leveling, overload, lowering)  
Backup electrical pump  
CAN bus technology  
Dead man pedal  
Differential locking on rear axle  
Easy Manager  
Emergency stop button in platform and on frame  
Engine with DPF  
Front axle with limited slip  
Fuel gauge with low level indicator  
Galvanized basket 2,100 mm  
Hour meter  
LED rotating beacon  
Large color screen on turret  
Management via engine speed bearing  
Oscillating front axle  
Proportional controls  
Stop & Go system

## Optional

110 or 230V plug with differential circuit breaker  
Access control keypad for easy link  
Air predisposition  
Battery cut-off  
Beep on every movement  
Beep upon travel  
Biodegradable oil  
Coded anti-start  
Continuous turret rotation  
Easy link with remote lock  
Extreme cold oil  
Fuel tank locking cap  
Galvanized basket 2,100 mm  
Galvanized basket 2,100 mm with lateral door  
Highly capacity battery  
Oil tank locking cap  
Onboard generator (3,5 or 5 kW)  
SPS : Secondary protection system  
Safety kit (Harness + helmet)  
Screen protection on the lower box control  
Socket 230 V + differential circuit breaker  
Turret cover with key lock  
Water heater  
Working light



Siège Social

430 rue de l'Aubinière - 44150 Ancenis Cedex - France

Tel: +33(0)2 40 09 10 11 - Fax: +33 (0)2 40 09 10 97

[www.manitou.com](http://www.manitou.com)



This brochure describes versions and configuration options for Manitou products which may be fitted with different equipment. The equipment described in this brochure may be standard, optional or not available depending on version. Manitou reserves the right to change the specifications shown and described at any time and without prior warning. The manufacturer is not liable for the specifications given. For more information, contact your Manitou dealer. Non-contractual document. Product descriptions may differ from actual products. List of specifications is not comprehensive. The logos and visual identity of the company are the property of Manitou and may not be used without authorisation. All rights reserved. The photos and diagrams contained in this brochure are provided for information only.

MANITOU BF SA - Limited company with board of directors - Share capital: 39,668,399 euros - 857 802 508 RCS Nantes