

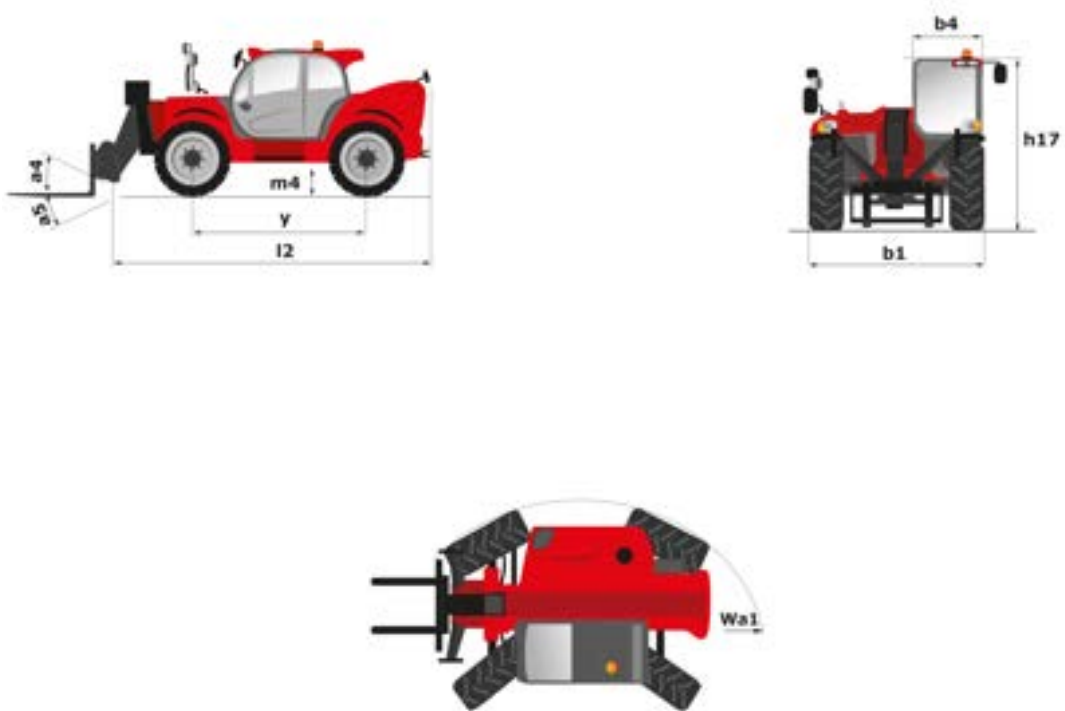
Technical sheet

MHT 14350

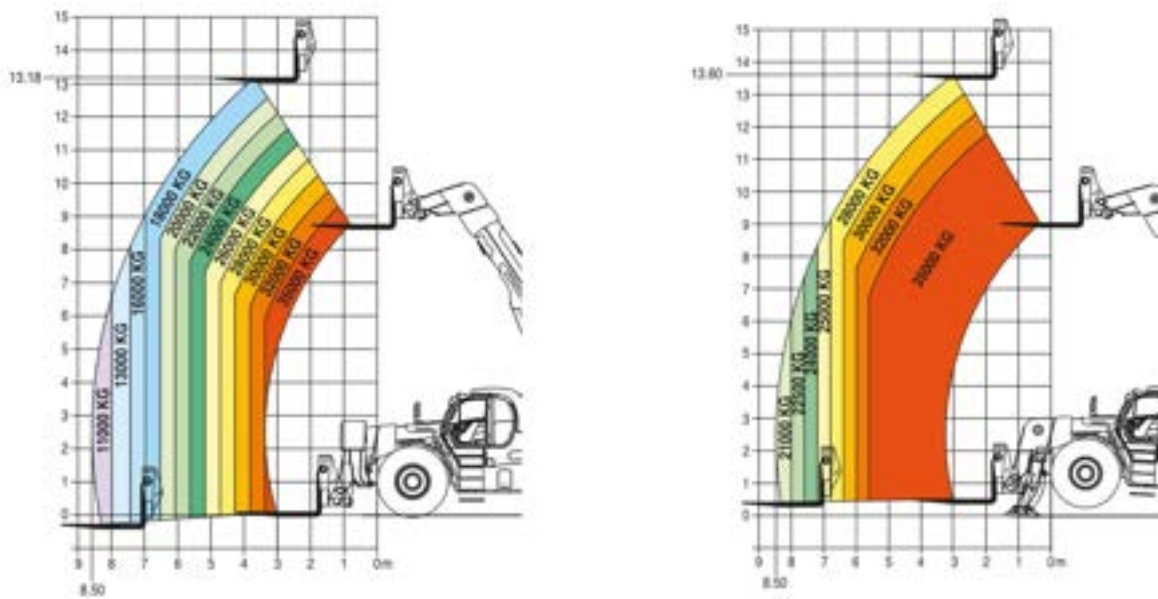
Telehandlers



Capacities	Metric
Max. capacity	35000 kg
Max. lift height	13.60 m
Max. reach	8.50 m
Weight and dimensions	
l2 - Overall length of fork carriage	10.93 m
b1 - Overall width	3.53 m
h17 - Overall height	3.82 m
y - Wheelbase	5.70 m
m4 - Ground clearance	0.69 m
Wa1 - Frame outer turning radius	7.32 m
Unladen weight (with forks)	69000 kg
Standard tyres	Pneumatic
Standard forks	2400x300x135
Engine	
Brand	Mercedes
Environmental standards	Stage IV / Tier 4 Final
Model	OM 936 LA
Number of cylinders - Capacity	6 - 7200 cm ³
Power	350 hp / 260 kW
Max. torque	1400 Nm at 1600 rpm
Laden drawbar pull	33000 daN
Transmission	
Type	Hydrostatic
Number of gears (forward/reverse)	3/3
Max. speed of travel (may vary according to the applicable regulation)	25 km/h
Parking brake	Automatic negative parking brake
Service brake	Hydraulic
Hydraulics	
Type of pump	Load sensing pump
Hydraulic flow rate - Pressure	400 l/min - 350 bar
Tank capacities	
Engine oil	760 l
Hydraulic oil	760 l
Fuel	720 l
AdBlue® Diesel Exhaust Fluid (DEF)	63 l
Noise & vibration	
Noise at driving position (LpA)	80 dB(A)
Noise to environment (LwA)	107 dB(A)
Vibration on hands/arms	2.5 m/s ²
Miscellaneous	
Steering wheels / Driving wheels	4 / 4
Safety	Standard EN 15000 Cab ROPS - FOPS Level 2
Controls	JSM



Load chart





Siège Social
430 rue de l'Aubinière - 44150 Ancenis Cedex - France
Tel: +33(0)2 40 09 10 11 - Fax: +33 (0)2 40 09 10 97
www.manitou.com



This brochure describes versions and configuration options for Manitou products which may be fitted with different equipment. The equipment described in this brochure may be standard, optional or not available depending on version. Manitou reserves the right to change the specifications shown and described at any time and without prior warning. The manufacturer is not liable for the specifications given. For more information, contact your Manitou dealer. Non-contractual document. Product descriptions may differ from actual products. List of specifications is not comprehensive. The logos and visual identity of the company are the property of Manitou and may not be used without authorisation. All rights reserved. The photos and diagrams contained in this brochure are provided for information only.

MANITOU BF SA - Limited company with board of directors - Share capital: 39,547,824 euros - 857 802 508 RCS Nantes