

Technical sheet :

# **MLA-T 533-145 V+ - ST5**

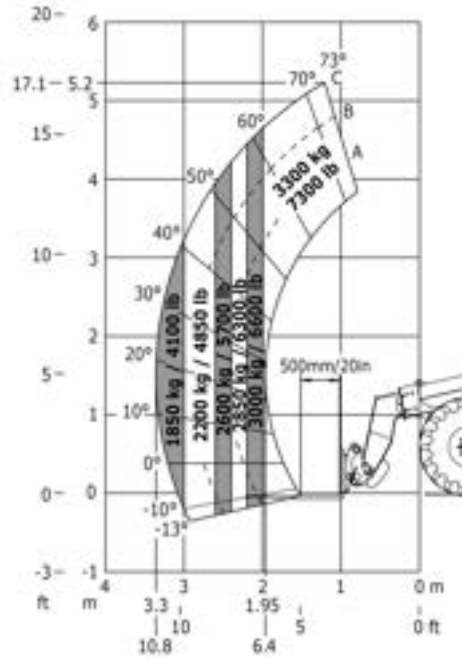
---



Capacities		Metric
Static tipping load with forks (straight)		4978 kg
Static tipping load with forks (full turn)		4147 kg
Max. payload with forks as per EN 474-3 (80%)		3300 kg
Max. lifting height (below forks)	h3	5.2 m
Max. outreach	l4	3.3 m
Reach at max. height		1.2 m
Breakout force with bucket		6730 daN
Weight and dimensions		
Unladen weight (with forks) with 2-post canopy		2 kg
Unladen weight (with forks) with 4-post canopy		8430 kg
Unladen weight (with forks)		8430 kg
Ground clearance	m4	0.39 m
Overall length to carriage (with hitch)	l11	5.72 m
Overall length to carriage (without hitch)	l3	5.72 m
Wheelbase	y	2.5 mm
Overall width (over tyres)	b1	2.29 m
Overall height with cab	h17	2.7 m
Tilt-up angle	a4	9 °
Tilt-down angle	a5	156 °
External turning radius (over tyres)	Wa1	4.2 m
Articulation angle		45 °
Standard tyres		Alliance - A580 - 460/70 R24 159A8
Performances		
Crowd		3.5 s
Dump		2.7 s
Engine		
Engine brand		Deutz
Engine model		TCD_4_1_L4
Number of cylinders / Capacity of cylinders		4 - 4038 cm <sup>3</sup>
I.C. Engine power rating / Power (kW)		143 Hp / 105 kW
Max. torque / Engine rotation		550 Nm/m / 1600 tr/min
Engine cooling system		3 radiators water + intercooler + hydraulic oil
Transmission		
Transmission type		M-Varioshift
Max. travel speed (may vary according to applicable regulations)		40 km/h
Differential lock		Limited slip differential on front & rear axles
Parking brake		Manual
Hydraulics		
Hydraulic pump type		Load sensing pump
Hydraulic flow - Pressure		158 l/min / 270 Bar
Tank capacities		
Hydraulic oil		150 l
Fuel tank		150 l
Diesel Exhaust fluid (AdBlue® type)		10 l
Noise and vibration		
Noise at driving position (LpA) tested following NF EN 12053 norm		72 dB(A)
Noise to environment (LwA)		107 dB(A)
Vibration to whole hand/arm		2.5 m/s <sup>2</sup>
Miscellaneous		
Safety cab homologation		Cab ROPS - FOPS Level 2

# Load chart

Machine on tyres with forks - Load chart  
compliant with EN 474-3 (80%) Metric



# Dimensional drawing





Siège Social  
430 rue de l'Aubinière - 44150 Ancenis Cedex - France  
Tel: +33(0)2 40 09 10 11 - Fax: +33 (0)2 40 09 10 97  
[www.manitou.com](http://www.manitou.com)



This brochure describes versions and configuration options for Manitou products which may be fitted with different equipment. The equipment described in this brochure may be standard, optional or not available depending on version. Manitou reserves the right to change the specifications shown and described at any time and without prior warning. The manufacturer is not liable for the specifications given. For more information, contact your Manitou dealer. Non-contractual document. Product descriptions may differ from actual products. List of specifications is not comprehensive. The logos and visual identity of the company are the property of Manitou and may not be used without authorisation. All rights reserved. The photos and diagrams contained in this brochure are provided for information only.

MANITOU BF SA - Limited company with board of directors - Share capital: 39,668,399 euros - 857 802 508  
RCS Nantes